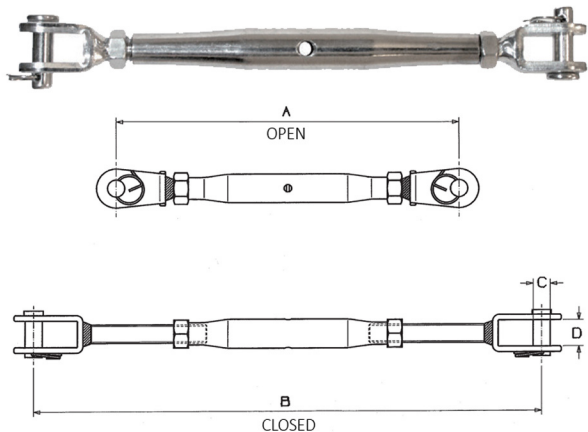


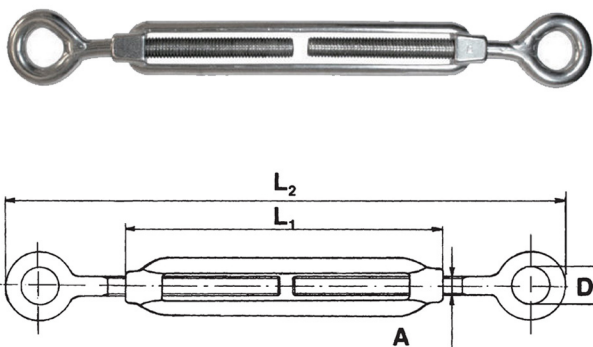
# Wire Rope Fittings

## STAINLESS STEEL 316 TURNBUCKLE JAW & JAW



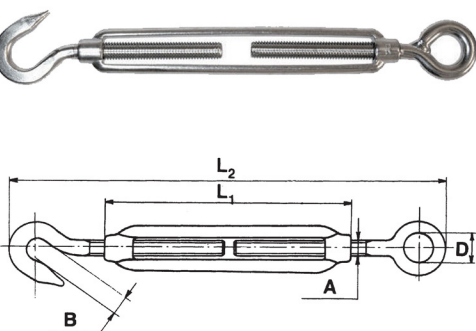
CODE	ROPE	A	B	C	D
	mm	mm	mm	mm	mm
CB105M05	2,5	125	175	6	11
CB105M06	3	135	200	6	11
CB105M08	4	145	210	6	11
CB105M10	5	180	250	8	13
CB105M12	6-7	210	300	12	12
CB105M14	7	260	410	12	13

## STAINLESS STEEL 316 TURNBUCKLE EYE & EYE



CODE	A	D	L1	L2	S.W.L
	mm	mm	mm	mm	Kg
CB108M05	5	8	70	110÷170	140
CB108M06	6	10	90	140÷220	225
CB108M08	8	14	120	180÷280	410
CB108M10	10	16	150	230÷360	650
CB108M12	12	18	200	280÷460	930
CB108M16	16	26	250	370÷590	1770
CB108M20	20	30	300	420÷650	2700

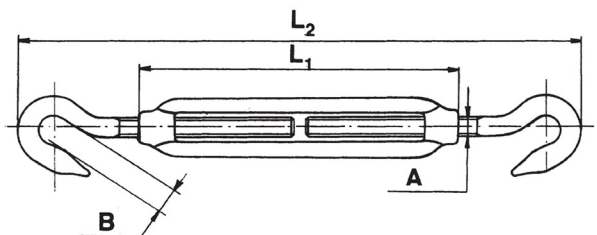
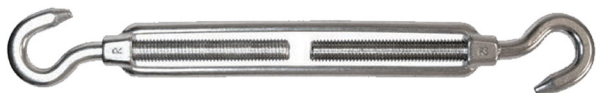
## STAINLESS STEEL 316 TURNBUCKLE EYE & HOOK



CODE	A	B	D	L1	L2	S.W.L
	mm	mm	mm	mm	mm	Kg
CB109M05	5	9	8	70	110÷170	50
CB109M06	6	10	10	90	140÷220	75
CB109M08	8	11	14	120	180÷280	165
CB109M10	10	12	16	150	230÷360	235
CB109M12	12	14	18	200	280÷460	320
CB109M16	16	16	26	250	370÷590	530
CB109M20	20	18	30	300	420÷650	730

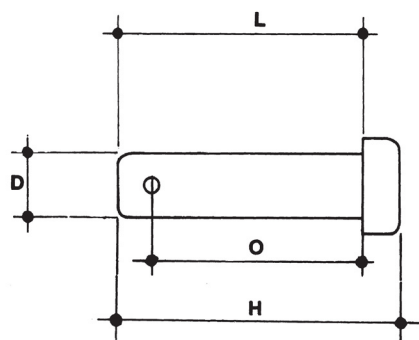
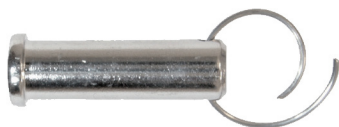
# Wire Rope Fittings

## STAINLESS STEEL 316 TURNBUCKLE HOOK & HOOK



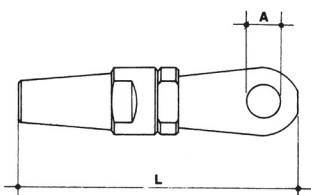
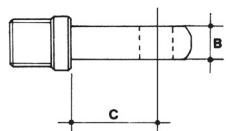
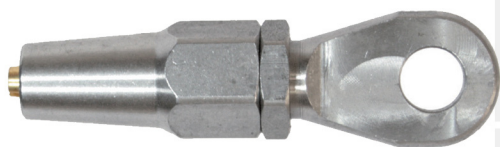
CODE	A	B	L1	L2	S.W.L
	mm	mm	mm	mm	Kg
CB110M05	5	9	70	110÷170	50
CB110M06	6	10	90	140÷220	75
CB110M08	8	11	120	180÷280	165
CB110M10	10	12	150	230÷360	235
CB110M12	12	14	200	280÷460	320
CB110M16	16	16	250	370÷590	530
CB110M20	20	18	300	420÷650	730

## STAINLESS STEEL 316 PIN WITH SAFETY RING



CODE	D	L	O	H
	mm	mm	mm	mm
CB112M06	4,8	16	14	20
CB112M08	6,6	21	18	24

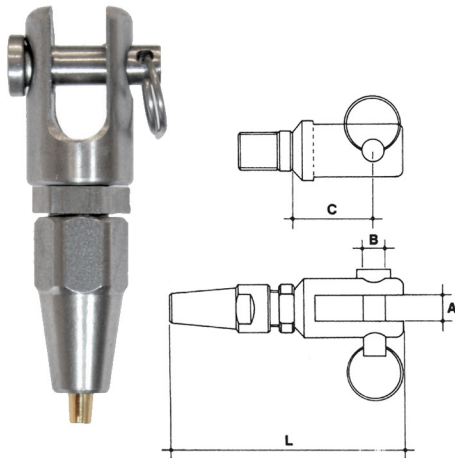
## STAINLESS STEEL 316 SWIFT EYE TERMINAL



CODE	A	B	C	L
	mm	mm	mm	mm
CB119M03	6	5,2	14	48
CB119M04	8	8	16	55
CB119M05	10	10	18	70
CB119M06	11	11	26	85
CB119M08	13	11	30	100
CB119M10	16	11	40	130
CB119M12	19	18	43	140

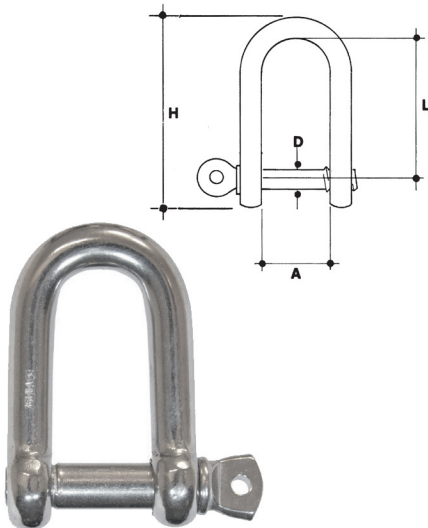
# Wire Rope Fittings

## STAINLESS STEEL 316 SWIFT FORK TERMINAL



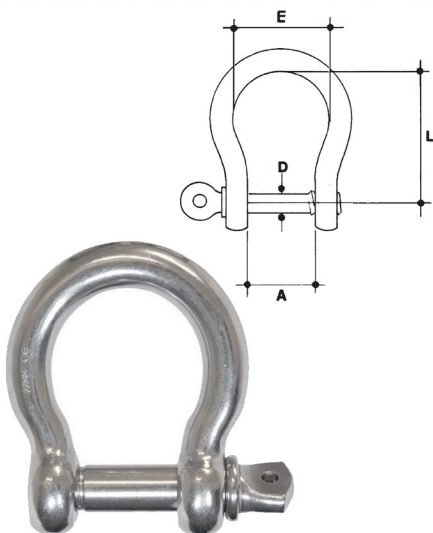
CODE	A	B	C	L
	mm	mm	mm	mm
CB120M03	4,8	5	8	50
CB120M04	8	7	12	60
CB120M05	10	8	14	70
CB120M06	10	8	18	90
CB120M08	12	10	20	100
CB120M10	14	12	28	120

## STAINLESS STEEL 316 DEE SHACKLE



CODE	D mm	A mm	L mm	H mm	S.W.L Kg
CB121M04	4	8	16	24	50
CB121M05	5	10	20	30	70
CB121M06	6	14	26	37	100
CB121M08	8	16	32	48	250
CB121M10	10	20	45	64	400
CB121M12	12	25	48	72	630
CB121M14	14	29	63	88,5	750
CB121M16	16	34	64	96	1000
CB121M20	19	40	76	114	1600
CB121M22	22	47	96	143	2000
CB121M25	25	50	100	150	2500

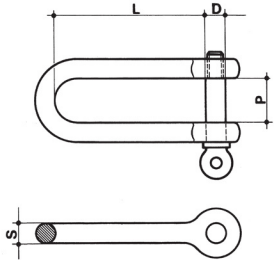
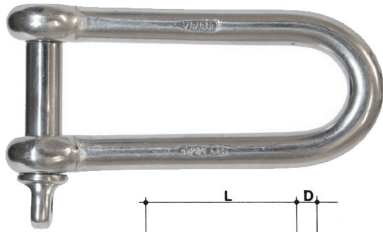
## STAINLESS STEEL 316 BOW SHACKLE



CODE	D mm	E mm	A mm	L mm	S.W.L Kg
CB122M04	4	12,5	8	16	50
CB122M05	5	15	10	20	80
CB122M06	6	21	14	24	100
CB122M08	8	24	16	32	200
CB122M10	10	31	20	40	300
CB122M12	12	38	26	48	500
CB122M14	14	43,5	30	63,5	600
CB122M16	16	52	32	64	800
CB122M19 /20	19	59	42	76	1100
CB122M22	22	67	44	88	1500
CB122M25	25	76,5	54	100	2000

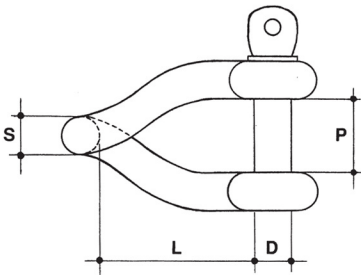
# Wire Rope Fittings

## STAINLESS STEEL 316 LONG SHACKLE



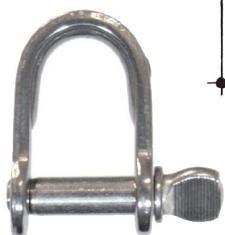
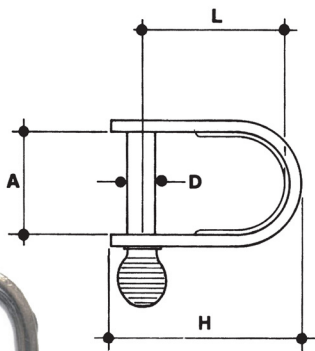
CODE	P mm	L mm	D mm	S mm
CB123M04	8	30	4	4
CB123M05	10	38	5	5
CB123M06	12	46	6	6
CB123M08	15	60	8	8
CB123M10	20	75	10	10
CB123M12	23	90	12	12

## STAINLESS STEEL 316 TWISTED SHACKLE



CODE	D	P	L	S
	mm	mm	mm	mm
CB124M04	4	8	22	4
CB124M05	5	10	28	5
CB124M06	6	12	34	6
CB124M08	8	16	40	8
CB124M10	10	20	45	10
CB124M12	12	24	52	12

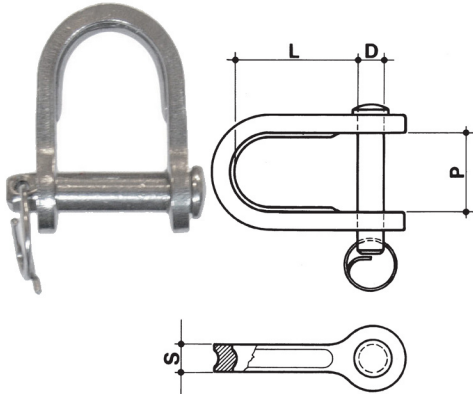
## STAINLESS STEEL 316 FLAT D-SHACKLE



CODE	D	A	L	H
	mm	mm	mm	mm
CB125M04	4	10	17	23
CB125M05	5	12	20	28
CB125M06	6	16	24	33

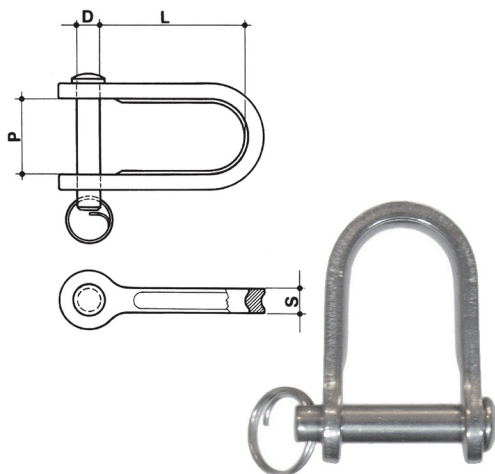


## STAINLESS STEEL 316 SHORT SHACKLE WITH RING



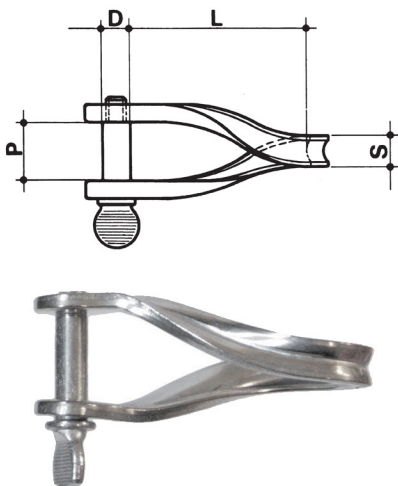
CODE	P	L	D	S
	mm	mm	mm	mm
CB127M04	10	15	4	5
CB127M05	12	17	5	6
CB127M06	16	21	6	7

## STAINLESS STEEL 316 LONG SHACKLE WITH RING



CODE	P	L	D	S
	mm	mm	mm	mm
CB128M04	12	24	4	5
CB128M05	16	25	5	6
CB128M06	17	26	6	7

## STAINLESS STEEL 316 FLAT TWISTED SHACKLE



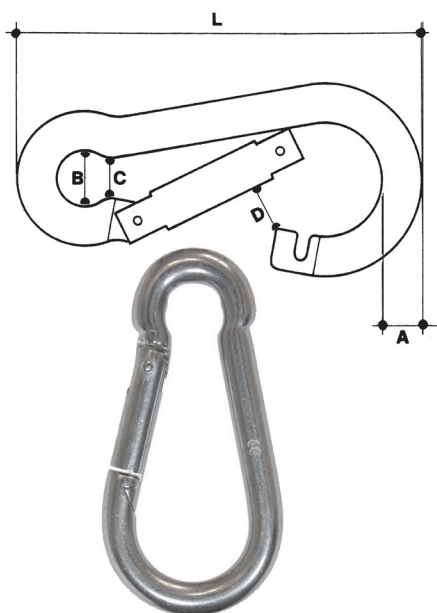
CODE	P	L	D	S
	mm	mm	mm	mm
CB129M04	11	22	4	5
CB129M05	12	37	5	6

# Wire Rope Fittings



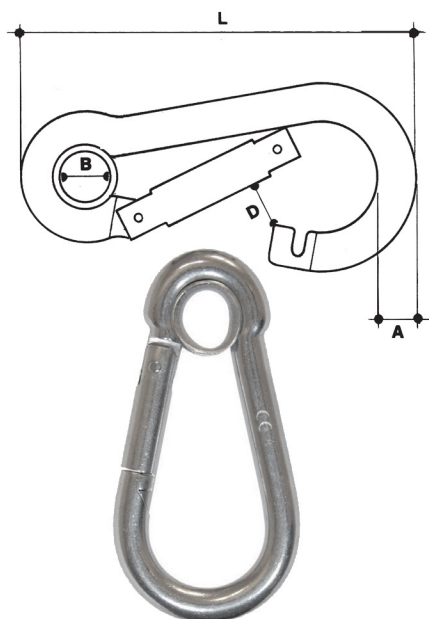
**FIRM SALVATORE CARUANA**  
importers & stockholders

## STAINLESS STEEL 316 SNAP HOOK



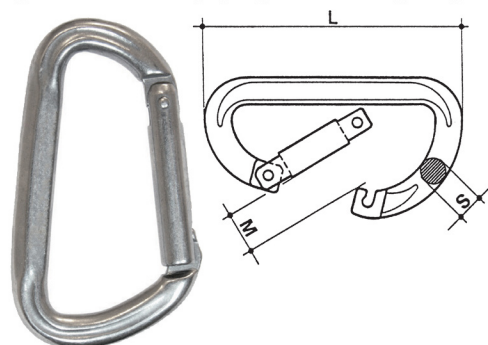
CODE	A	B	C	D	L
	mm	mm	mm	mm	mm
CB130M040	4	6	5	6	40
CB130M050	5	8	6	7	50
CB130M060	6	9	7,5	8	60
CB130M070	7	10	8,5	9	70
CB130M080	8	12	9	11	80
CB130M100	10	15	10,5	13	100
CB130M120	11	19	15,5	16	120
CB130M160	13	23	18	22	160

## STAINLESS STEEL 316 SNAP HOOK WITH RING



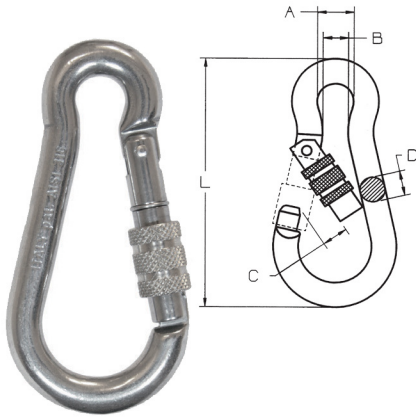
CODE	A	B	D	L
	mm	mm	mm	mm
CB131M040	4	4,5	6	40
CB131M050	5	7	7	50
CB131M060	6	8	8	60
CB131M070	7	9	9	70
CB131M080	8	10,5	11	80
CB131M090	9	12	12	90
CB131M100	10	14	13	100
CB131M120	11	18	16	120
CB131M160	13	20	22	160

## STAINLESS STEEL 316 SPRING HOOK WITH EYELET & NUT



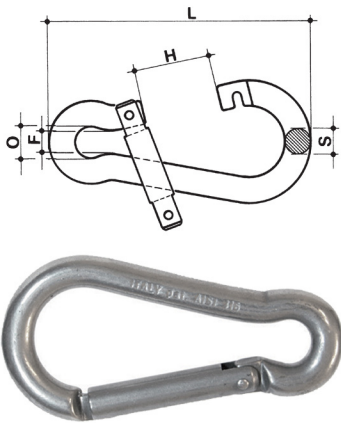
CODE	L mm	S mm	M mm
CB132M100	100	10	18
CB132M120	120	12	18

## STAINLESS STEEL 316 SPRING HOOK WITH NUT



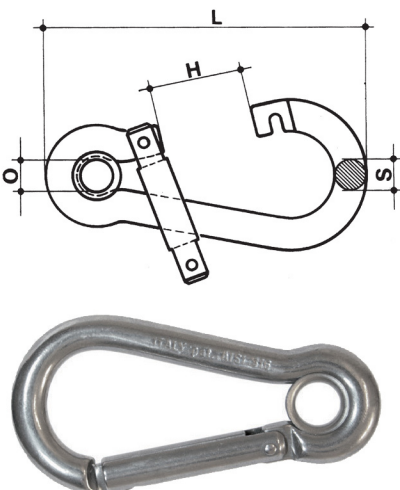
CODE	A	B	C	D	L	S.W.L.
	mm	mm	mm	mm	mm	Kg
CB133M100	15	10,5	13	10	100	350
CB133M120	18	12	16	11	120	450

## STAINLESS STEEL 316 OPEN SNAP HOOK



CODE	L	S	O	F	H
	mm	mm	mm	mm	mm
CB134M080	80	8	11	8	19
CB134M100	100	10	15	10,5	22
CB134M120	120	11	18	12	26

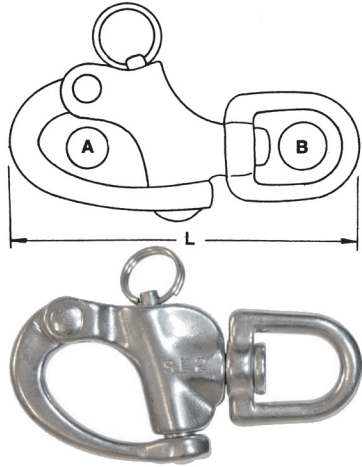
## STAINLESS STEEL 316 OPEN SNAP HOOK WITH EYE



CODE	L	S	O	H
	mm	mm	mm	mm
CB135M080	8	8	10	19
CB135M100	100	10	14	22

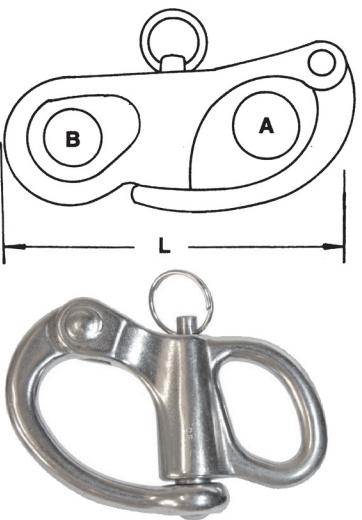
# Wire Rope Fittings

## STAINLESS STEEL 316 SWIVELS SNAP SHACLES TYPE 3



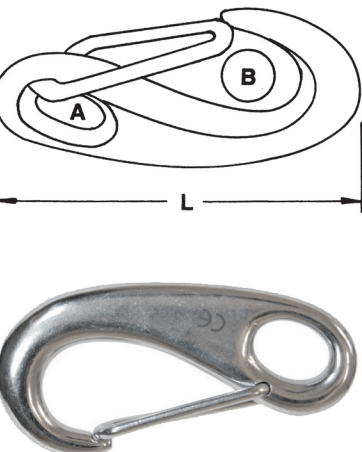
CODE	A	B	L
	mm	mm	mm
CB136M128	22	22	128

## STAINLESS STEEL 316 FIXED SNAP SHACKLE



CODE	A	B	L
	mm	mm	mm
CB137M052	12	9	52
CB137M066	16	12	66
CB137M096	22	16	96

## STAINLESS STEEL 316 SPRING SNAP



CODE	A	B	L
	mm	mm	mm
CB139M050	6	8	50
CB139M070	10	12	70
CB139M100	13	16	100

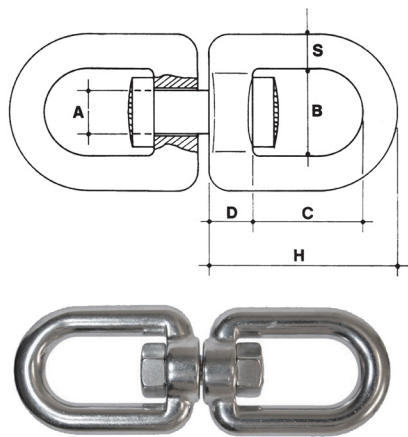


# Wire Rope Fittings



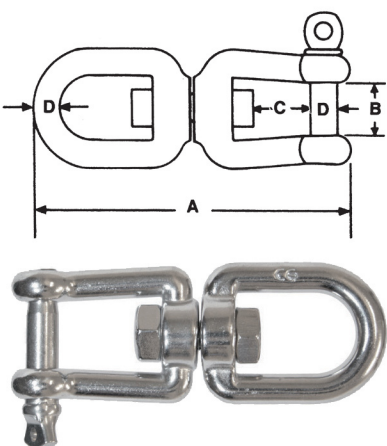
**FIRM SALVATORE CARUANA**  
importers & stockholders

## STAINLESS STEEL 316 EYE & EYE SWIVEL



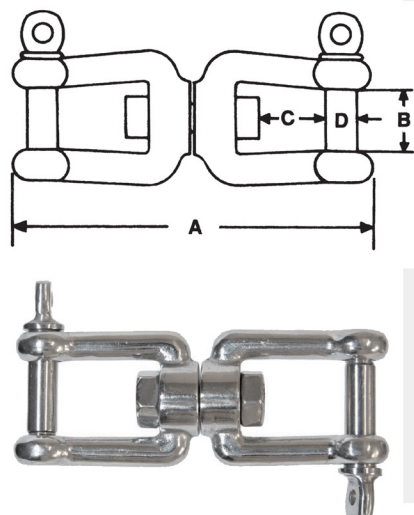
CODE	A mm	B mm	C mm	D mm	H mm	S mm	S.W.L. Kg
CB141M05	5	13	19	6	30	5	100
CB141M06	6	15	20	7	33	6	225
CB141M08	8	20	28	11	47	8	450
CB141M10	10	24	35	13	58	10	625
CB141M13	14	32	46	18	77	13	875
CB141M16	16	39	56	22	94	16	1250
CB141M20	20	41	63	33	115	19	2500
CB141M22	22	47	70	34	127	22	3250
CB141M25	25	63	88	35	148	25	4000

## STAINLESS STEEL 316 EYE & JAW SWIVEL



CODE	A mm	B mm	C mm	D mm	S.W.L. Kg
CB142M06	66	12	11	6	225
CB142M08	94	16	16	8	450
CB142M10	118	20	22	10	625
CB142M13	152	26	28	13	875
CB142M16	188	32	37	16	1250

## STAINLESS STEEL 316 JAW & JAW SWIVEL



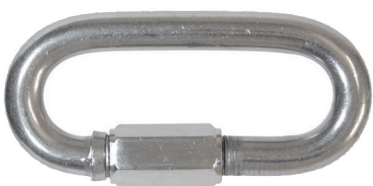
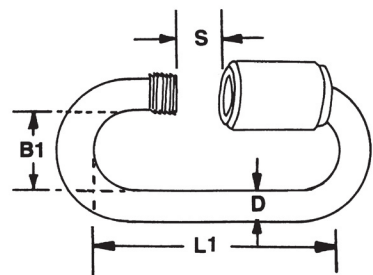
CODE	A mm	B mm	C mm	D mm	S.W.L. Kg
CB143M06	66	12	11	6	225
CB143M08	94	16	16	8	450
CB143M10	118	20	22	10	625
CB143M13	152	26	28	13	875
CB143M16	188	32	37	16	1250
CB143M20	229	38	45	19	2500

# Wire Rope Fittings



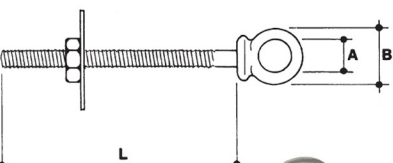
**FIRM SALVATORE CARUANA**  
importers & stockholders

## STAINLESS STEEL 316 QUICK LINK



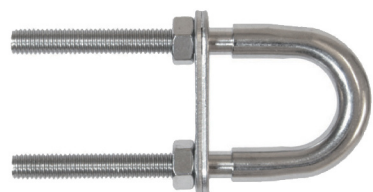
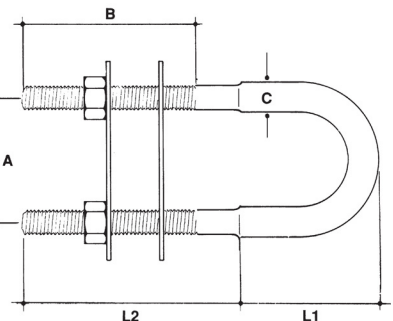
CODE	L1 mm	B1 mm	S mm
CB144M03.5	29	10	4,5
CB144M04	32	12	5,5
CB144M05	39	13	6,5
CB144M06	45	14	7,5
CB144M07	52	16	8,5
CB144M08	58	18	9,5
CB144M09	62	20	11,0
CB144M10	69	22	12,0
CB144M12	81	24	14,5

## STAINLESS STEEL 316 EYE BOLT WITH NUT & WASHER



CODE	A	B	L	C
	mm	mm	mm	mm
CB145M06X060	12	22	60	6
CB145M08X060	14	27	60	6
CB145M08X080	14	27	80	8
CB145M10X100	16	31	100	10
CB145M12X120	18	36	120	12

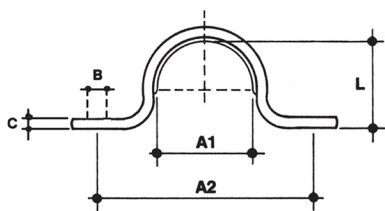
## STAINLESS STEEL 304 U BOLT



CODE	A	B	C	L1	L2
	mm	mm	mm	mm	mm
CB146M04X062	30	30	6	25	37
CB146M05X080	35	40	7	30	48
CB146M06X090	35	45	8	35	55
CB146M08X100	35	52	10	38	62
CB146M08X120	45	62	10	47	73
CB146M10X130	50	62	12	55	75
CB146M12X150	60	65	14	65	85

# Wire Rope Fittings

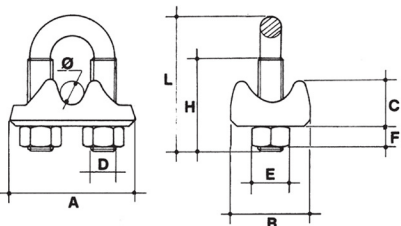
## STAINLESS STEEL 304 EYE STRAP



CODE	L	A2	A1	B	C
	mm	mm	mm	mm	mm
CB148M10X30	10	30	11	4,2	1,5
CB148M13X34	13	34	15	5,2	2
CB148M17X40	17	40	20	5,2	3



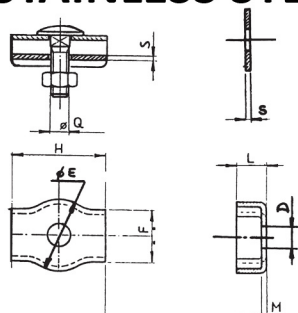
## STAINLESS STEEL 316 WIRE ROPE CLIP



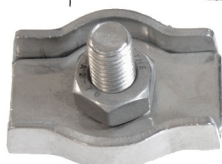
CODE	A	B	C	E	F	H	L	D
	mm	mm	mm	mm	mm	mm	mm	mm
CB149M04	22	14	8	7	3,5	12	22	4
CB149M05	24	16	9	8	4	15	24	5
CB149M06	30	18	11	10	5	18	33	6
CB149M08	33	20	12	10	5	20	35	6
CB149M10	37	22	14	13	6,5	22	43	8
CB149M12	45	25	16	17	8	30	54	10
CB149M14	46	27	18	17	8	30	54	10
CB149M16	53	30	20	17	8	30	65	10
CB149M18	55	31,5	21	19	10	35	80	12
CB149M20	58	33	22	19	10	35	80	12
CB149M22	64	34	23	19	10	43	85	12
CB149M25	69	39	24	19	10	43	85	12



## STAINLESS STEEL 304 SIMPLEX WIRE ROPE CLIP



CODE	D	E	F	H	L	M	Q	S
	mm	mm	mm	mm	mm	mm		mm
CB150M02	5	12	7,5	17,5	5	1	M 4	1
CB150M03	5	15	10	17,5	6,5	1,5	M 4	1,5
CB150M04	6,5	18	12	22	7,5	1,5	M 5	1,5
CB150M05	6,5	20	14	24	8,5	1,5	M 5	1,5
CB150M06	7	23	17	30	10	1,5	M 6	1,5
CB150M08	10	30	22	36	14	2	M 8	2
CB150M10	11	34	25	42	16	2	M 10	3

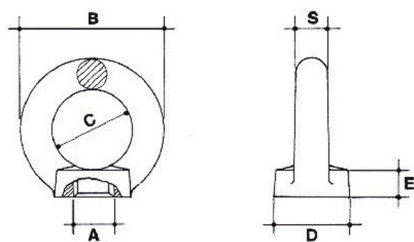


# Wire Rope Fittings



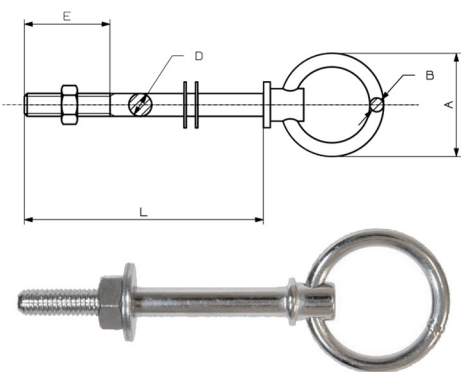
**FIRM SALVATORE CARUANA**  
importers & stockholders

## STAINLESS STEEL 316 EYE NUT DIN 582



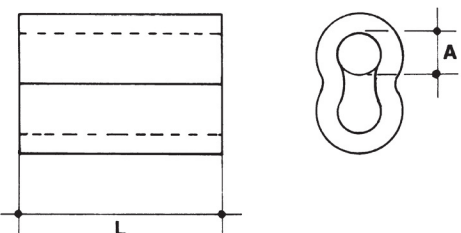
CODE	A	B	C	D	E	S	SWL	45°	90°
	mm	mm	mm	mm	mm	mm	⊥ Kg	∧ Kg	┌ Kg
CB154M06	6	36	20	20	8,5	8	90	60	45
CB154M08	8	36	20	20	8,5	8	140	100	70
CB154M10	10	45	25	25	10	10	230	170	115
CB154M12	12	54	30	30	11	12	340	240	170
CB154M14	14	54	30	30	11	12	500	350	250
CB154M16	16	63	35	35	13	14	700	500	350
CB154M20	20	72	40	40	16	16	1200	860	600
CB154M24	24	90	50	50	20	20	1800	1290	900

## STAINLESS STEEL 316 RING BOLT W/NUT & WASHERS



CODE	A	B	D	E	L
	mm	mm	mm	mm	mm
CB156M10X085	44	6	10	39	85
CB156M10X100	44	6	10	39	104

## COPPER SLEEVE FOR PRESSING



CODE	ROPE	A	L
	mm	mm	mm
CB159M02	2	2,5	9,5
CB159M02.5	2,5	3	10
CB159M03	3	4	14
CB159M04	4	5	16
CB159M05	5	6	23
CB159M06	6	7	22
CB159M08	8	9,5	27
CB159M10	10	11,5	33



# Wire Rope Fittings



**FIRM SALVATORE CARUANA**  
importers & stockholders

## ALUMINIUM SLEEVE FOR PRESSING



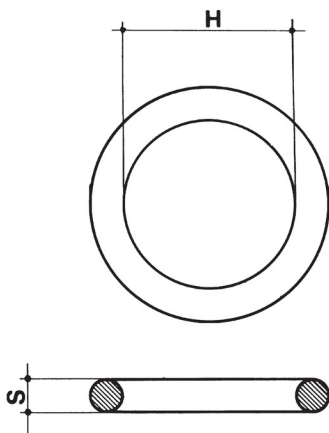
CODE

CB160M02  
CB160M03  
CB160M04  
CB160M05  
CB160M06

CODE

CB160M08  
CB160M10  
CB160M12  
CB160M14  
CB160M16

## STAINLESS STEEL 304 ROUND RING



CODE	S	H	CODE	S	H
	mm	mm		mm	mm
CB164M03X020	3	20	CB164M08X040	8	40
CB164M03X030	3	30	CB164M08X050	8	50
CB164M04X035	4	35	CB164M08X060	8	60
CB164M05X025	5	25	CB164M08X065	8	65
CB164M05X030	5	30	CB164M08X070	8	70
CB164M05X040	5	40	CB164M10X050	10	50
CB164M05X050	5	50	CB164M10X060	10	60
CB164M06X030	6	30	CB164M10X070	10	70
CB164M06X035	6	35	CB164M10X080	10	80
CB164M06X040	6	40	CB164M10X090	10	90
CB164M06X045	6	45	CB164M10X100	10	100
CB164M06X050	6	50	CB164M12X070	12	70
CB164M06X056	6	56	CB164M12X090	12	90
CB164M06X060	6	60	CB164M12X100	12	100