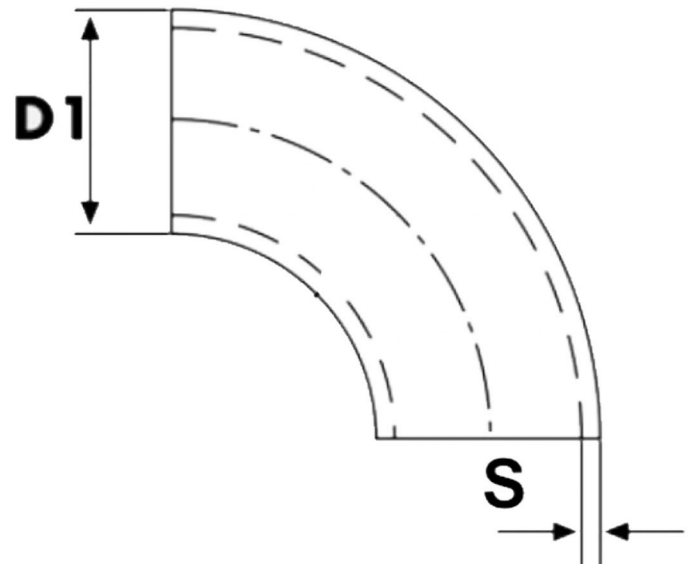


Weldable Elbows

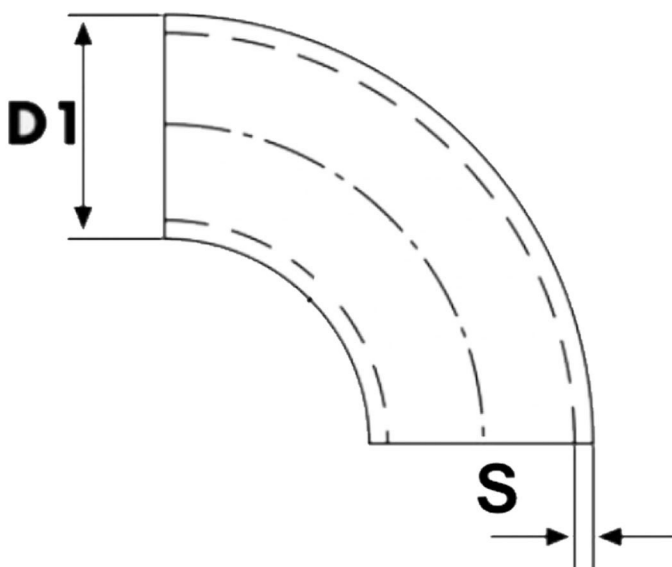
STAINLESS STEEL 304 BRUSHED 90 DEG. ELBOW



CODE	D1 (mm)	S (mm)	CODE	D1 (mm)	S (mm)
RMWEK013.5X1.5	13.5	1.5	RMWEK048.3X2	48.3	2
RMWEK017.2X1.5	17.2	1.5	RMWEK048.3X3	48.3	3
RMWEK021.3X1.5	21.3	1.5	RMWEK060.3X2	60.3	2
RMWEK021.3X2	21.3	2	RMWEK060.3X3	60.3	3
RMWEK021.3X2.5	21.3	2.5	RMWEK070X2	70	2
RMWEK026.9X1.5	26.9	1.5	RMWEK070X3	70	3
RMWEK026.9X2	26.9	2	RMWEK076.1X2	76.1	2
RMWEK026.9X2.6	26.9	2.6	RMWEK076.1X3	76.1	3
RMWEK026.9X3	26.9	3	RMWEK080X2	80	2
RMWEK033.7X1.5	33.7	1.5	RMWEK080X3	80	3
RMWEK033.7X2	33.7	2	RMWEK088.9X2	88.9	2
RMWEK033.7X3	33.7	3	RMWEK088.9X3	88.9	3
RMWEK042.4X2	42.4	2	RMWEK101.6X2	101.6	2
RMWEK042.4X3	42.4	3	RMWEK101.6X3	101.6	3

Weldable Elbows

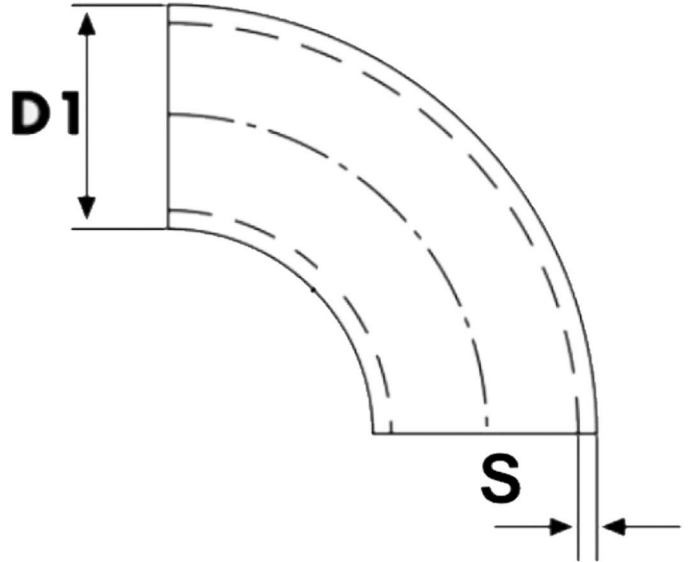
STAINLESS STEEL 304 POLISHED 90 DEG. ELBOW



CODE	D1 (mm)	S (mm)	CODE	D1 (mm)	S (mm)
RMWEKP018X1.5	18	1.5	RMWEKP042.4X1.5	42.4	1.5
RMWEKP020X1.5	20	1.5	RMWEKP042.4X2	42.4	2
RMWEKP022X1.5	22	1.5	RMWEKP045X1.5	45	1.5
RMWEKP025X1.5	25	1.5	RMWEKP048.3X1.5	48.3	1.5
RMWEKP025X2	25	2	RMWEKP050X1.5	50	1.5
RMWEKP028X1.5	28	1.5	RMWEKP050X2	50	2
RMWEKP030X1.5	30	1.5	RMWEKP060.3X1.5	60.3	1.5
RMWEKP030X2	30	2	RMWEKP060.3X2	60.3	2
RMWEKP032X1.5	32	1.5	RMWEKP070X2	70	2
RMWEKP035X1.5	35	1.5	RMWEKP076.1X2	76.1	2
RMWEKP035X2	35	2	RMWEKP080X2	80	2
RMWEKP038X1.5	38	1.5	RMWEKP088.9X2	88.9	2
RMWEKP040X1.5	40	1.5	RMWEKP101.6X2	101.6	2
RMWEKP040X2	40	2			

Weldable Elbows

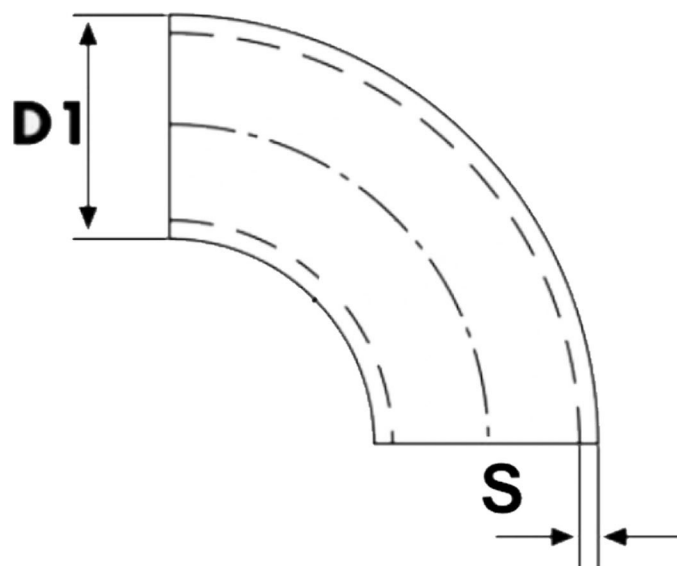
STAINLESS STEEL 316 BRUSHED 90 DEG. ELBOW



CODE	D1 (mm)	S (mm)	CODE	D1 (mm)	S (mm)
RMWEJ013.5X1.5	13.5	1.5	RMWEJ063.5X2	63.5	2
RMWEJ013.5X2	13.5	2	RMWEJ070X2	70	2
RMWEJ017.2X1.5	17.2	1.5	RMWEJ070X3	70	3
RMWEJ021.3X1.5	21.3	1.5	RMWEJ076.1X2	76.1	2
RMWEJ021.3X2	21.3	2	RMWEJ076.1X3	76.1	3
RMWEJ021.3X2.5	21.3	2.5	RMWEJ080X1.5	80	1.5
RMWEJ026.9X1.5	26.9	1.5	RMWEJ080X2	80	2
RMWEJ026.9X2	26.9	2	RMWEJ080X3	80	3
RMWEJ026.9X3	26.9	3	RMWEJ084X2	84	2
RMWEJ033.7X1.5	33.7	1.5	RMWEJ088.9X2	88.9	2
RMWEJ033.7X2	33.7	2	RMWEJ088.9X3	88.9	3
RMWEJ033.7X3	33.7	3	RMWEJ101.6X2	101.6	2
RMWEJ042.4X2	42.4	2	RMWEJ101.6X3	101.6	3
RMWEJ042.4X3	42.4	3	RMWEJ114.3X2	114.3	2
RMWEJ048.3X2	48.3	2	RMWEJ114.3X3	114.3	3
RMWEJ048.3X3	48.3	3	RMWEJ129X2	129	2
RMWEJ054X1.5	54	1.5	RMWEJ129X3	129	3
RMWEJ054X2	54	2	RMWEJ139.7X2	139.7	2
RMWEJ057X1.5	57	1.5	RMWEJ139.7X3	139.7	3
RMWEJ057X2	57	2	RMWEJ154X2	154	2
RMWEJ060.3X1.5	60.3	1.5	RMWEJ154X3	154	3
RMWEJ060.3X2	60.3	2	RMWEJ168X2	168	2
RMWEJ060.3X3	60.3	3	RMWEJ219X2	219	2
RMWEJ063.5X1.5	63.5	1.5			

Weldable Elbows

STAINLESS STEEL 316 POLISHED 90 DEG. ELBOW



CODE	D1 (mm)	S (mm)	CODE	D1 (mm)	S (mm)
RMWEJP018X1.5	18	1.5	RMWEJP042X1.5	42	1.5
RMWEJP020X1.5	20	1.5	RMWEJP042X2	42	2
RMWEJP022X1.5	22	1.5	RMWEJP045X1.5	45	1.5
RMWEJP025X1.5	25	1.5	RMWEJP048X1.5	48	1.5
RMWEJP025X2	25	2	RMWEJP050X1.5	50	1.5
RMWEJP028X1.5	28	1.5	RMWEJP050X2	50	2
RMWEJP030X1.5	30	1.5	RMWEJP060.3X1.5	60.3	1.5
RMWEJP030X2	30	2	RMWEJP060.3X2	60.3	2
RMWEJP032X1.5	32	1.5	RMWEJP070X2	70	2
RMWEJP035X1.5	35	1.5	RMWEJP076.1X2	76.1	2
RMWEJP035X2	35	2	RMWEJP080X2	80	2
RMWEJP038X1.5	38	1.5	RMWEJP088.9X2	88.9	2
RMWEJP040X1.5	40	1.5	RMWEJP101.6X2	101.6	2
RMWEJP040X2	40	2			